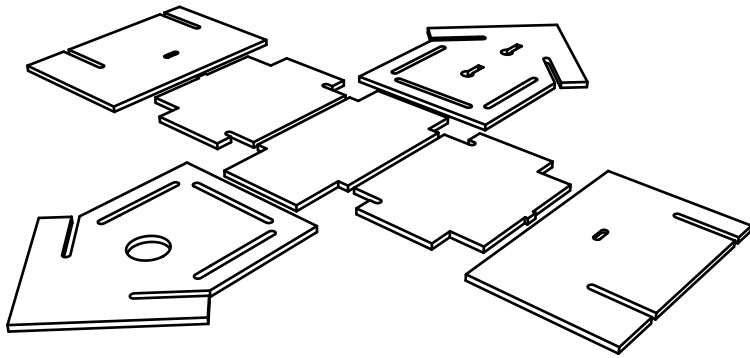
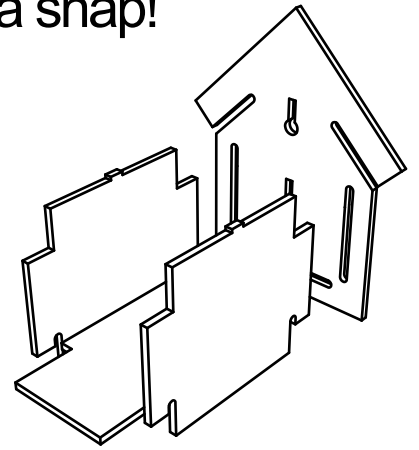


# INSTRUCTIONS no glue, no nails, it's a snap!



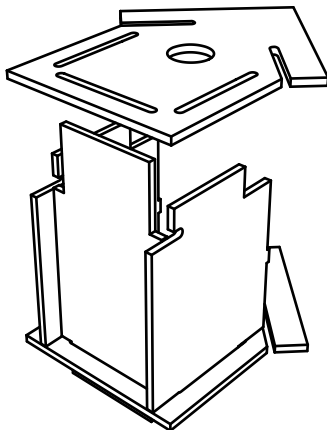
1

Lay out the panels to match exactly like the diagram.



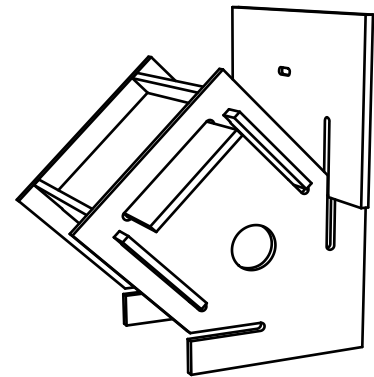
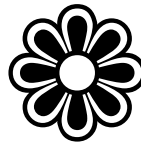
2

Insert one SIDE PANEL into the BACK vertical slot. Repeat with the other side panel. Insert the SHORT extension of the BOTTOM PANEL into the back horizontal slot.



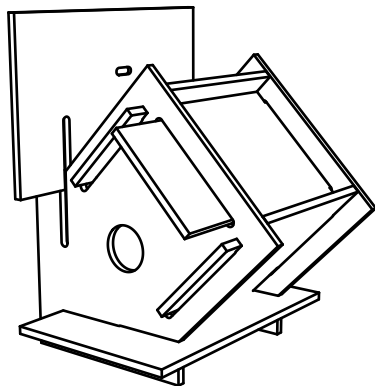
3

Rest the house on its back. Slide the FRONT PANEL slots over the remaining bottom and side notches. Stand birdhouse upright. Now, press the side panels completely down.



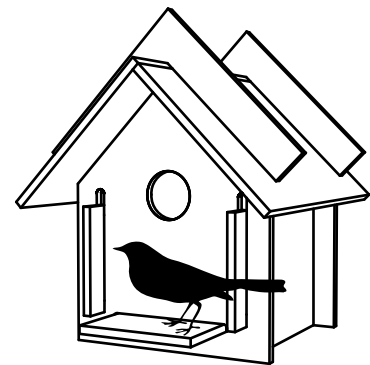
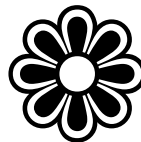
4

Place the birdhouse on an angle as shown. With the wider ROOF flange toward the front, slide the ROOF panel into place until it locks with the notch.



5

Put the birdhouse on the newly inserted roof panel side as shown. Repeat with the other Roof PANEL.



6

Use the flower hole pattern on this box to space the included screws for hanging. Screw right through the flowers images leaving 1.25" of the screw out. Rip the box away.

FOR SEASONAL CLEANING INSTRUCTIONS VISIT

**box for the birds**  
.com